

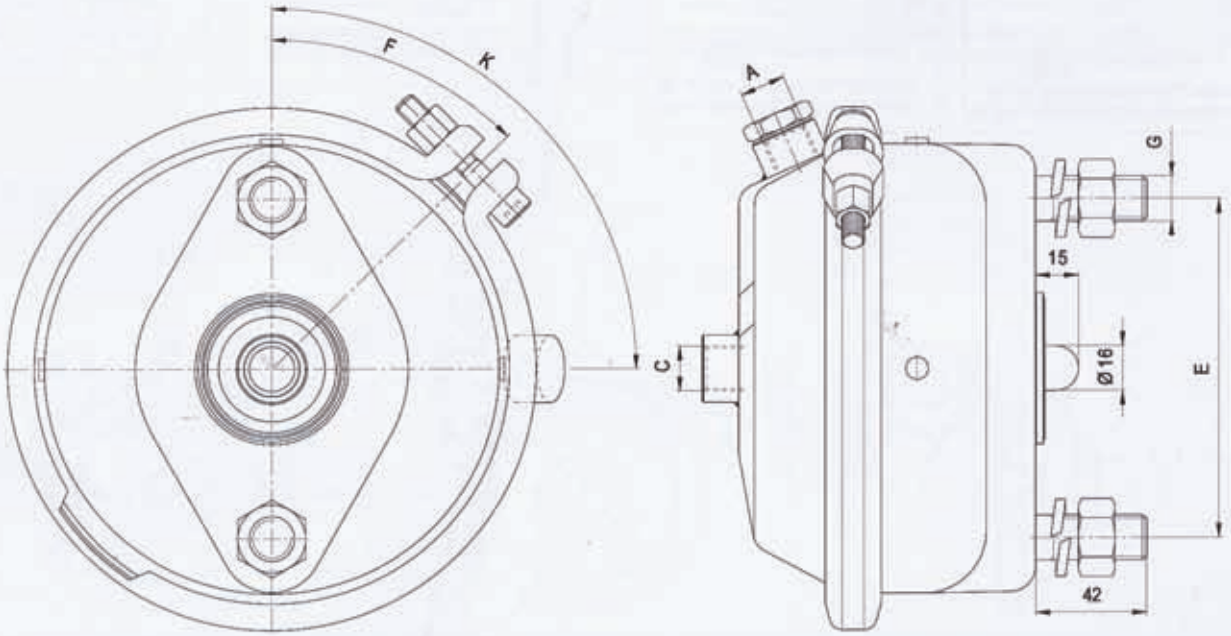


T16

T20

T24

T30



901311-00

DISC	Type	Plug	Port / Manşon		Stroke	Bolt / Saplama		Angle / Aç	
			Centre	Side		Thread	Distance	Port	Clamp
Part Code	Tip	Tapa	Orta	Yan	Strok	Diş	Arası	Manşon	Kelepçe
Parça Kodu	Tip		C	A		G	E	K	F
901311-00302	T16	yes / var	M16*1.5	M16*1.5	64	M16*1.5	120.7	270	45
901311-00303	T16	yes / var	M16*1.5	M16*1.5	57	M16*1.5	120.7	270	45
901311-00306	T16	yes / var	M16*1.5	M16*1.5	64	M16*1.5	120.7	0	300
901311-00401	T20	yes / var	M16*1.5	M16*1.5	64	M16*1.5	120.7	270	45
901311-00402	T20	yes / var	M16*1.5	M16*1.5	57	M16*1.5	120.7	270	45
901311-00405	T20	yes / var	M16*1.5	M16*1.5	64	M16*1.5	120.7	0	300
901311-00406	T20	yes / var	M16*1.5	M16*1.5	64	M16*1.5	120.7	0	60
901311-00501	T24	yes / var	M16*1.5	M16*1.5	64	M16*1.5	120.7	270	45
901311-00502	T24	yes / var	M16*1.5	M16*1.5	57	M16*1.5	120.7	270	45
901311-00505	T24	yes / var	M16*1.5	M16*1.5	64	M16*1.5	120.7	0	300
901311-00506	T24	yes / var	M16*1.5	M16*1.5	64	M16*1.5	120.7	0	60
901311-00601	T30	yes / var	M16*1.5	M16*1.5	64	M16*1.5	120.7	270	45
901311-00602	T30	yes / var	M16*1.5	M16*1.5	57	M16*1.5	120.7	270	45